

UVIREX™

Wastewater Disinfectors



UVIREX 230: Ultraviolet Nanowave Disinfection for Wastewater

Eliminates the Need for Chemicals Involved in Wastewater Treatment

Simple, Affordable & Highly Effective

About UVIREX

UVIREX was developed by long established wastewater manufacturer and contract operator Winelco Inc. in an effort to provide an affordable yet effective UV disinfection solution for its customers. After years of field research and development and with the support of health department and EPA regulators, the resulting product is easy to install, simple and affordable to operate, and a more effective solution than other UV treatment offerings on the market. All products are backed by a one year warranty.

About UVIREX 230

Application

UVIREX 230 is designed for commercial and small municipal wastewater treatment systems, following tertiary treatment and it will handle flows up 139 gpm or 200,000 gpd gravity flow. These systems are generally used at small municipalities, mobile home parks, decentralized community developments, or in conjunction with package plants.

Technology

The UVIREX 230 disinfects treated wastewater through exposure to germicidal ultraviolet radiation at a wavelength of 254.7 nm emitted by two standard 115 watt T5 low-pressure Hg lamps. The process is enhanced by agitating and restricting flow to a minimal distance from the UV lamp, radically increasing UV intensity. The irradiation zone of the unit is covered with a reflective coating, which reflects UV light to enhance exposure from multiple paths, an advantage in disinfection of particular solids which could otherwise occlude germicidal rays. An extended 1.5" PVC pipe "Easy Grip" handle is attached for retrieval of the lamp and quartz sleeve from deep sumps, when service is required. The ballast enclosure is NEMA Tye 12.. UVIREX 230 is equipped with a transparent PVC cap for visual indication of failure. Additionally, the power connection at the UV lamp is designed to keep free of moisture, thus solving another operational failure in competitive units.

Regulatory Approval

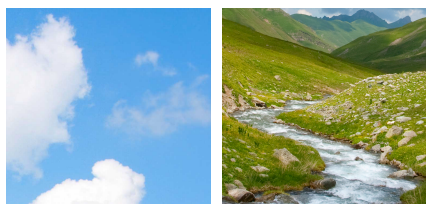
UVIREX 230 has been approved by the OEPA and has a 10 year track record of performance. All installations have kept Fecal Coliform and E. Coli results within EPA discharge limits. 98% of installations proved < 1 Fecal Coliform and E. Coli.

Installation Requirements

The UVIREX 230 is designed to be installed in a drywell or an existing chlorine contact tank following tertiary treatment. System is designed for gravity flow and not to be pressurized.

Operation Requirements

UVIREX is designed for ease of operation and minimal ongoing maintenance / repair costs. Lamp and Desiccant Pack should be replaced and the quartz sleeve cleaned 1 / year. The entire process takes approximately 20 minutes.

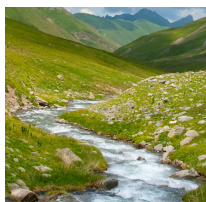
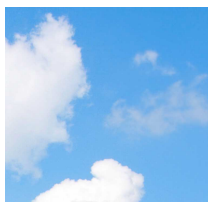
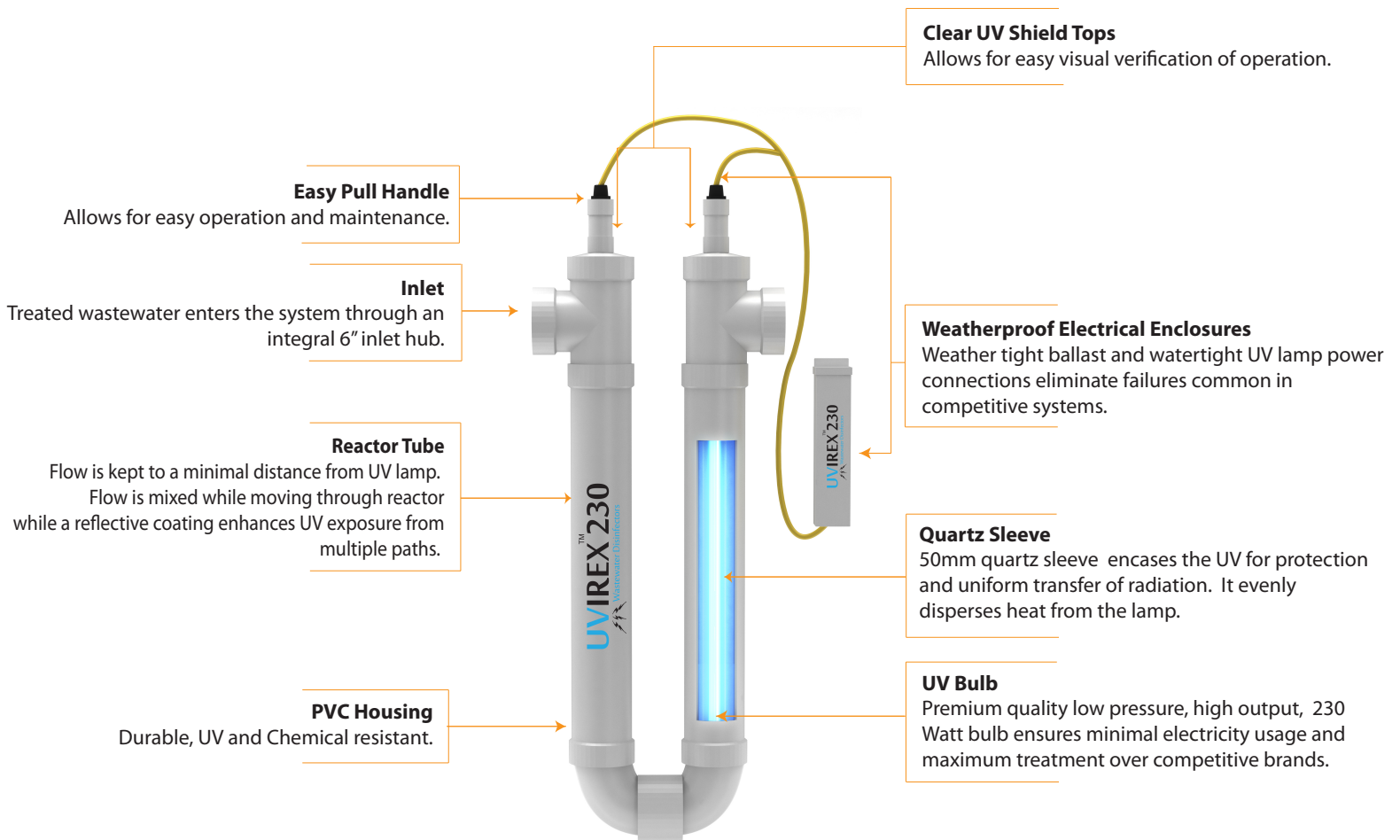


UVIREX 230: Ultraviolet Nanowave Disinfection for Wastewater

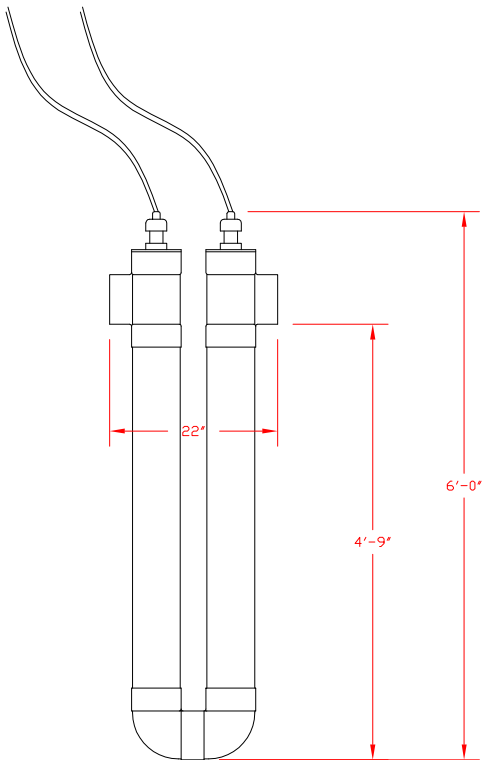
Eliminates the Need for Chemicals Involved in Wastewater Treatment

Simple, Affordable & Highly Effective

Product Features



UVIREX 230 Specifications



UVIREX SPECIFICATION	UVIREX Model 230
Maximum Flow Capacity	200,000 gpd (up to 1mgd in modules) 139 gpm
Modularity	In parallel
Total Wattage	230 Watts
Power Supply	120 Volts
Circuit Protection	Ground Fault Circuit Interrupter
Ballast	In Weatherproof Enclosure
Alarm	Available. Clear UV shield top also allows for visual verification
Lamp	Two (2) 115 Watt, low pressure, high output, 212 cm arc
UV Wavelength	253.7nm wavelength output: 68 watts
Output Depreciation	@5,000 hrs 15%
Lamp Enclosure	50 mm O.D. quartz tube
Reactor	6" reflective, agitating reactor tube
Reactor volume	9.13 gal.
UV Exposure	3.94 seconds at max flow rate
UV Dosage @ Maximum Flow	80,000 uW sec./cm ² , (.08 Joules)
Dimensions	
Inlet / Outlet	
Warrants	1 year parts. Meet EPA Fecal coliforms & E. coli limits when properly maintained, flows <0.2 MGD and tertiary UV transmittance of 69% - 75%

Contact Information

Winelco Inc.
6141 Centre Park Drive
West Chester, OH 45069
Phone: 1 (513) 755-8050
Fax: 1 (513) 755-8029

support@uvirex.com

